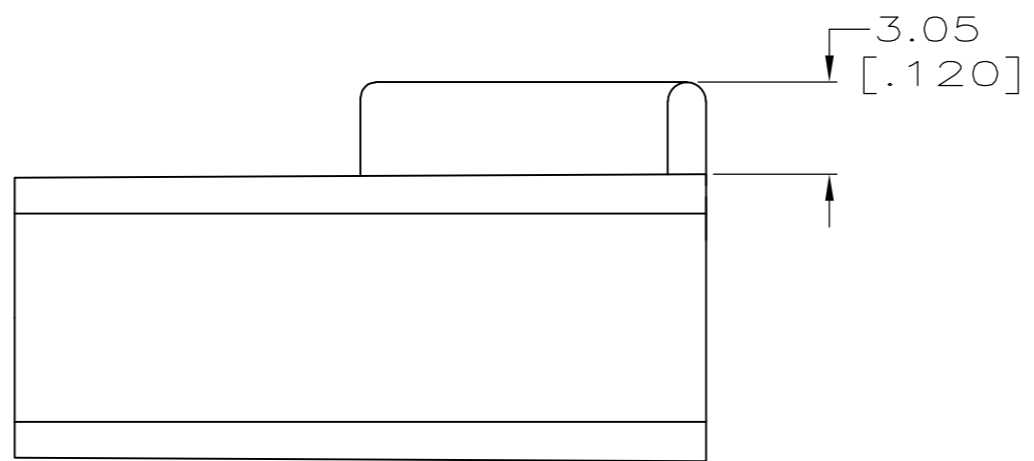
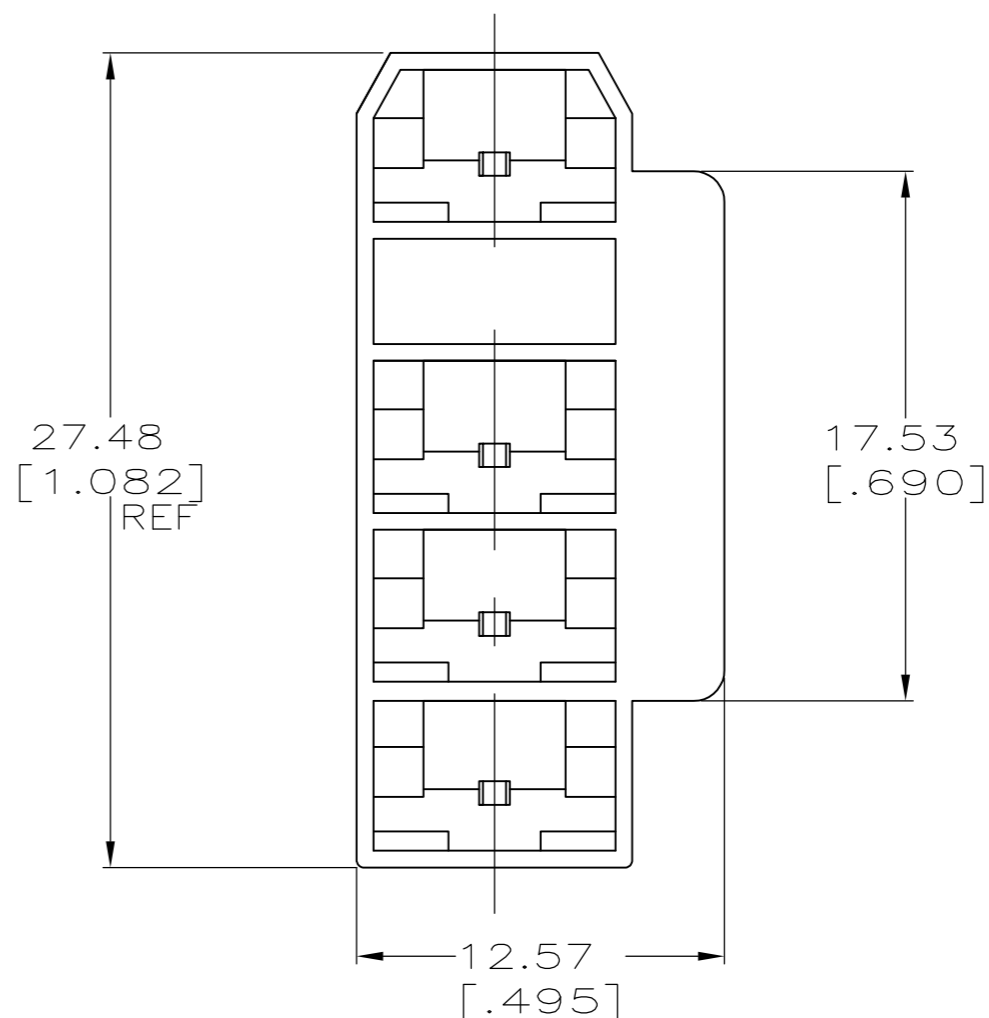
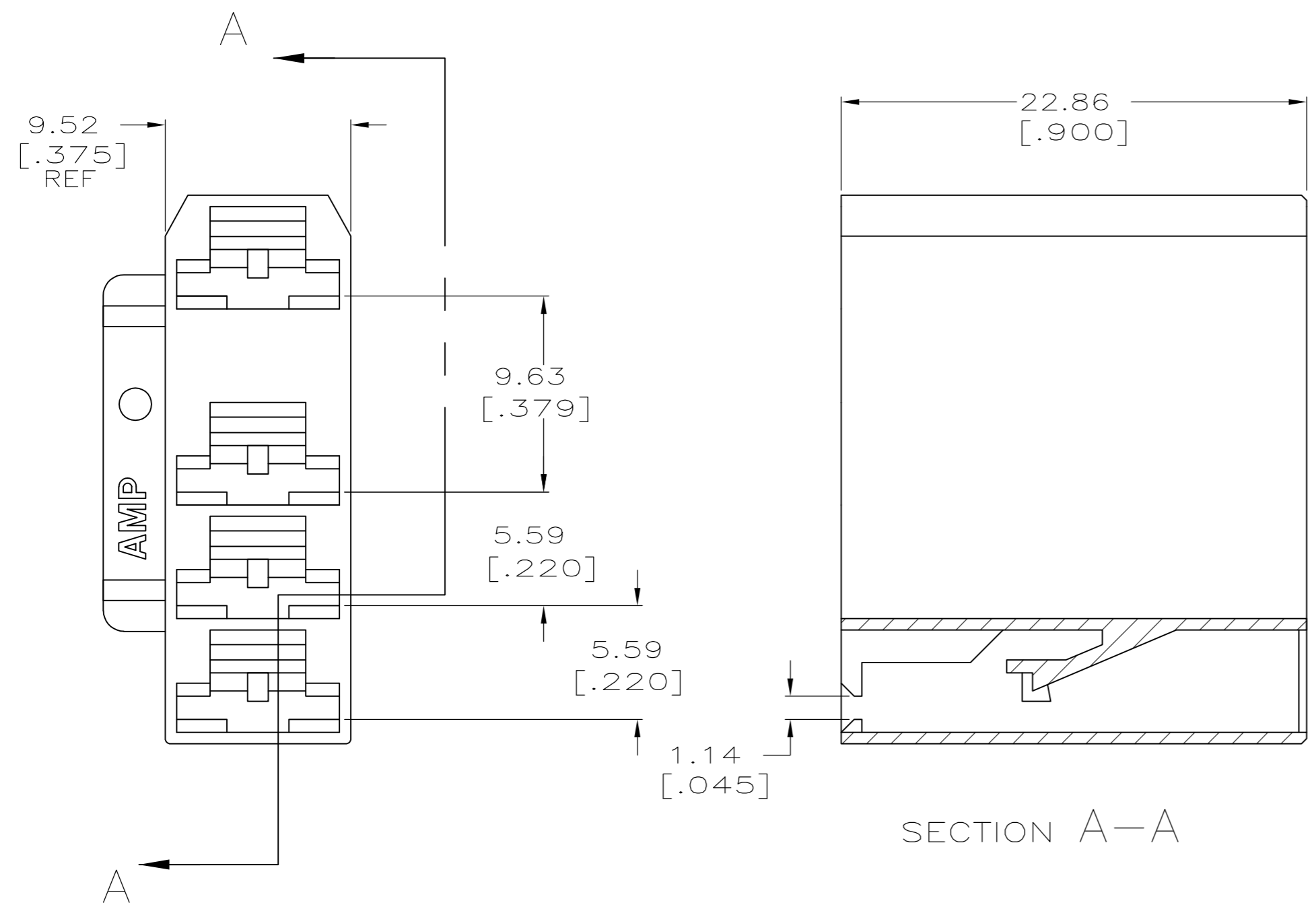


THIS DRAWING IS UNPUBLISHED. RELEASED FOR PUBLICATION
 © COPYRIGHT BY TYCO ELECTRONICS CORPORATION. ALL RIGHTS RESERVED.

LOC	DIST	REVISIONS			
P	LTR	DESCRIPTION	DATE	DWN	APVD
AF	50	K7	REL PER ECR 08-021374	28AUG08	JR PD



- 1 FOR USE WITH AMP TERMINALS 63648-1 AND 63648-2.
- 2 PRELIMINARY - NOT FOR PRODUCTION.
- 3 GLOW WIRE APPROVED, CONTACT TYCO ELECTRONICS FOR ENGN SPECIFICATIONS, ALL WALL THICKNESSES ARE BETWEEN 0.4mm AND 3.0mm.



COLOR	MATERIAL	PART NUMBER
NATURAL	3	520987-6
NATURAL	6/6 NYLON, V0	520987-5
BLACK	6/6 NYLON, V0	520987-4
GRAY	6/6 NYLON, V2	2 520987-3
NATURAL	6/6 NYLON	520987-2
BLACK	6/6 NYLON	520987-1

THIS DRAWING IS A CONTROLLED DOCUMENT.		DWN M.S. FEHER 22SEP2003	Tyco Electronics Corporation Harrisburg, Pa 17105-3608	
DIMENSIONS: MM [INCHES]		CHK J.R. RUTH 22SEP2003	NAME HOUSING, RECEPTACLE, FASTON, 6.35 [.250] SERIES	
TOLERANCES UNLESS OTHERWISE SPECIFIED:		APVD P. DESANTIS 22SEP2003	PRODUCT SPEC	
0 PLC ± -		APPLICATION SPEC		
1 PLC ± -		WEIGHT -		
2 PLC ± -		SIZE A2		
3 PLC ± 0.25 [.010]		CAGE CODE 00779		
4 PLC ± -		DRAWING NO C=520987		
ANGLES ± -		RESTRICTED TO -		
FINISH SEE TABLE		SCALE 4:1 SHEET 1 OF 1 REV K7		
MATERIAL SEE TABLE		CUSTOMER DRAWING		